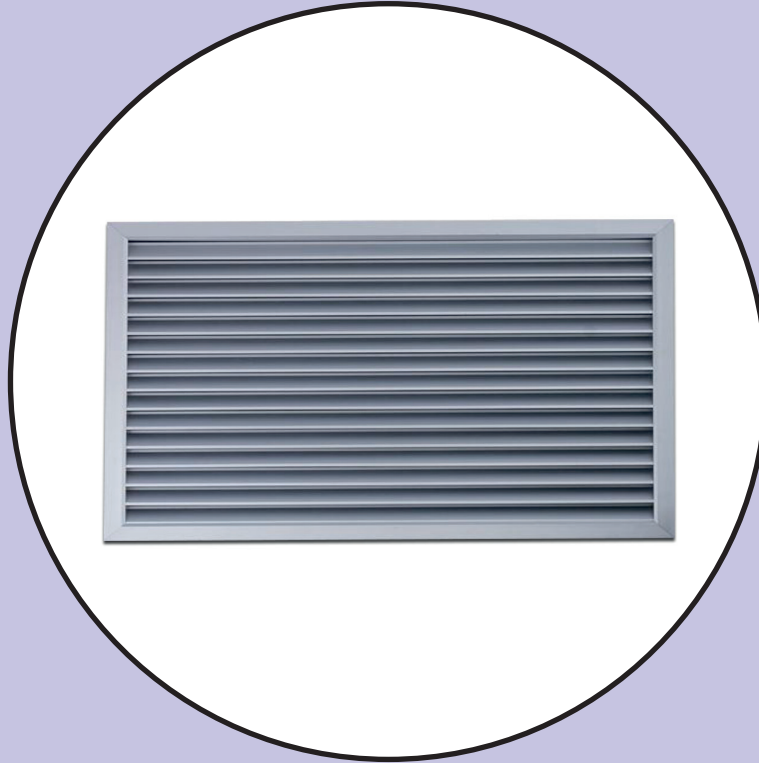


جي جي سي

G G C

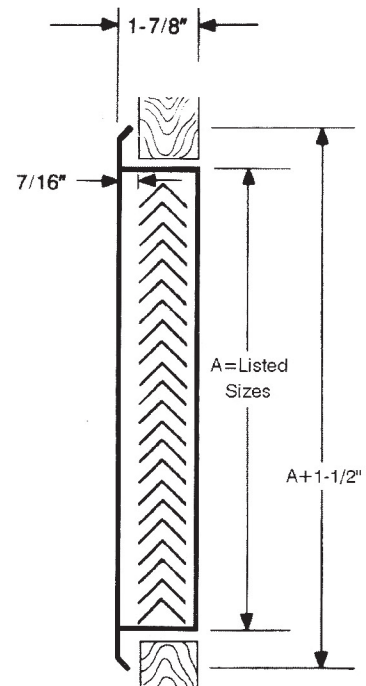
شركة الخليج لفتحات التكييف المركزي

GULF GRILLES CO.



DOOR GRILLES

A09 DOOR GRILLES



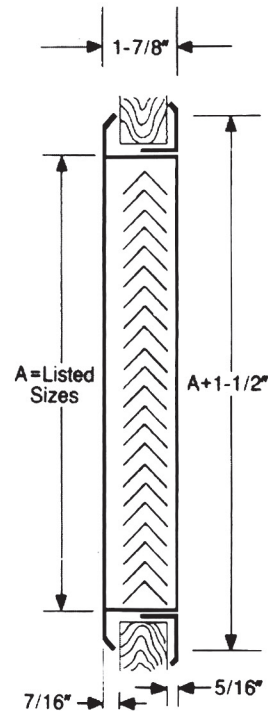
PRODUCT DESCRIPTION

- The frame and blades are extruded aluminium alloy and are polyester powder coated with a white finish.
- The frame has a typical wall thickness of 1/16" and is separated from the blades by an extruded rigid PVC track which becomes an integral part of the frame. This method of assembly helps to eliminate corrosion and vibration.
- The frame mounting holes are dimpled, allowing for a counter-sunk fastener head appearance.
- The chevron style blades are mounted in the PVC track and are spaced 1/2" on center.
- Standard finish is white color for frame and blades. Painted under electrostatic polyester powder coated system. Other colors available on request. The polyester powder of highest quality are used to enhance the appearance of the units.
- Suitable for doors, walls or partitions where a sight proof transfer grille is required.

Listed Sizes

Size	Horizontal		Vertical		Velocity (fpm)
	in.	(mm)	in.	(mm)	
12 x 6	12	(304.8)	6	(152.4)	300 - 800
16 x 6	16	(406.4)	6	(152.4)	300 - 800
24 x 6	24	(609.6)	6	(152.4)	300 - 800
12 x 8	12	(304.8)	8	(203.2)	300 - 800
18 x 8	18	(457.2)	8	(203.2)	300 - 800
24 x 8	24	(609.6)	8	(203.2)	300 - 800
16 x 10	16	(406.4)	10	(254.0)	300 - 800
20 x 10	20	(508.0)	10	(254.0)	300 - 800
24 x 10	24	(609.6)	10	(254.0)	300 - 800
12 x 12	12	(304.8)	12	(304.8)	300 - 800

Size	Horizontal		Vertical		Velocity (fpm)
	in.	(mm)	in.	(mm)	
18 x 12	18	(457.2)	12	(304.8)	300 - 800
20 x 12	20	(508.0)	12	(304.8)	300 - 800
24 x 12	24	(609.6)	12	(304.8)	300 - 800
20 x 14	20	(508.0)	14	(355.6)	300 - 800
24 x 14	24	(609.6)	14	(355.6)	300 - 800
24 x 16	24	(609.6)	16	(406.4)	300 - 800
18 x 18	18	(457.2)	18	(457.2)	300 - 800
24 x 18	24	(609.6)	18	(457.2)	300 - 800
24 x 24	24	(609.6)	24	(609.6)	300 - 800
30 x 24	30	(762.0)	24	(609.6)	300 - 800



PRODUCT DESCRIPTION

- The frame and blades are extruded aluminium alloy and are polyester powder coated with a white finish.
- The frame has a typical wall thickness of 1/16" and is separated from the blades by an extruded rigid PVC track which becomes an integral part of the frame. This method of assembly helps to eliminate corrosion and vibration.
- The frame mounting holes are dimpled, allowing for a counter-sunk fastener head appearance.
- The chevron style blades are mounted in the PVC track and are spaced 1/2" on center.
- The frame adjusts to suit door thickness from 1-3/8 to 1-7/8 inches.
- Standard finish is white color for frame and blades. Painted under electrostatic polyester powder coated system. Other colors available on request. The polyester powder of highest quality are used to enhance the appearance of the units.
- Suitable for doors, walls or partitions where a sight proof transfer grille is required.

Listed Sizes

Size	Horizontal		Vertical		Velocity (fpm)
	in.	(mm)	in.	(mm)	
12 x 6	12	(304.8)	6	(152.4)	300 - 800
16 x 6	16	(406.4)	6	(152.4)	300 - 800
24 x 6	24	(609.6)	6	(152.4)	300 - 800
12 x 8	12	(304.8)	8	(203.2)	300 - 800
18 x 8	18	(457.2)	8	(203.2)	300 - 800
24 x 8	24	(609.6)	8	(203.2)	300 - 800
16 x 10	16	(406.4)	10	(254.0)	300 - 800
20 x 10	20	(508.0)	10	(254.0)	300 - 800
24 x 10	24	(609.6)	10	(254.0)	300 - 800
12 x 12	12	(304.8)	12	(304.8)	300 - 800

Size	Horizontal		Vertical		Velocity (fpm)
	in.	(mm)	in.	(mm)	
18 x 12	18	(457.2)	12	(304.8)	300 - 800
20 x 12	20	(508.0)	12	(304.8)	300 - 800
24 x 12	24	(609.6)	12	(304.8)	300 - 800
20 x 14	20	(508.0)	14	(355.6)	300 - 800
24 x 14	24	(609.6)	14	(355.6)	300 - 800
24 x 16	24	(609.6)	16	(406.4)	300 - 800
18 x 18	18	(457.2)	18	(457.2)	300 - 800
24 x 18	24	(609.6)	18	(457.2)	300 - 800
24 x 24	24	(609.6)	24	(609.6)	300 - 800
30 x 24	30	(762.0)	24	(609.6)	300 - 800

DOOR GRILLES PERFORMANCE DATA

Listed sizes (inches)	Face Velocity (fpm)	300	400	450	500	550	600	650	700	750	800
	Static Pressure (in. w.g.)	0.021	0.035	0.044	0.053	0.065	0.076	0.089	0.103	0.115	0.113
	Area factor (Sq. ft.)	AIR CAPACITY (cfm)									
10 x 6	0.15	45	60	68	75	82	90	98	105	112	120
12 x 6	0.18	54	72	81	90	99	108	117	126	135	144
16 x 6	0.25	75	100	112	125	137	150	162	175	187	200
18 x 6	0.28	84	112	126	140	154	168	182	196	210	224
20 x 6	0.32	96	128	144	160	176	192	208	224	240	256
24 x 6	0.39	117	156	175	195	214	234	253	273	292	312
10 x 8	0.21	63	84	94	105	115	126	136	147	157	168
12 x 8	0.26	78	104	117	130	143	156	169	182	195	208
16 x 8	0.35	105	140	157	175	192	210	227	245	262	280
18 x 8	0.40	120	160	180	200	220	240	260	280	300	320
24 x 8	0.55	165	220	247	275	302	330	357	385	412	440
30 x 8	0.68	204	272	306	340	374	408	442	476	510	544
10 x 10	0.2	81	108	121	135	148	162	175	189	202	216
12 x 10	0.36	108	144	162	180	198	216	234	252	270	288
16 x 10	0.46	138	184	207	230	253	276	299	322	345	368
18 x 10	0.52	156	208	234	260	286	312	338	364	390	416
20 x 10	0.58	174	232	261	290	319	348	377	406	435	464
24 x 10	0.70	210	280	315	350	385	420	455	490	525	560
12 x 12	0.41	123	164	184	205	225	246	266	287	307	328
16 x 12	0.56	168	224	252	280	308	336	364	392	420	448
18 x 12	0.64	192	256	288	320	352	384	416	448	480	512
20 x 12	0.71	213	284	319	355	390	426	461	497	532	568
24 x 12	0.86	258	344	387	430	473	516	559	602	645	688
30 x 12	1.08	324	432	486	540	594	648	702	756	810	864
24 x 16	1.18	354	472	531	590	649	708	767	826	885	944
18 x 18	0.96	288	384	432	480	528	576	624	672	720	768
24 x 18	1.30	390	520	585	650	715	780	845	910	975	1040
30 x 18	1.69	507	676	760	845	929	1014	1098	1183	1267	1352
24 x 24	1.78	534	712	801	890	979	1068	1157	1246	1335	1424
30 x 24	2.28	684	912	1026	1140	1254	1368	1482	1596	1710	1824
30 x 30	2.88	864	1152	1296	1440	1584	1728	1872	2016	2160	2304

Note 1 : Determine CFM by the following equation :

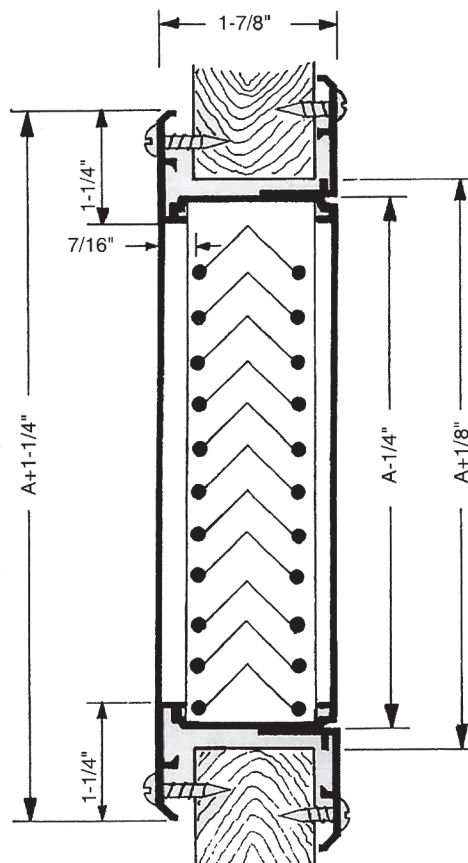
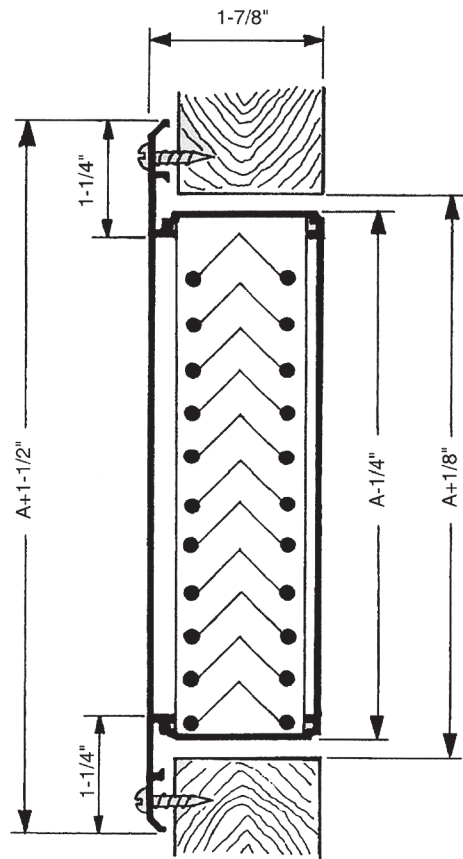
$$\text{CFM} = \text{Area factor} \times \text{Measured face velocity}$$

Note 2 : For sizes not shown, the approximate area factor in square feet can be calculated by using the formula below.

$$\text{Area Factor} = \frac{0.5 (\text{Height} - 1.25) \times (\text{Width} - 1.125)}{144}$$

Area factor and pressure drop will change with a change in blade spacing.

INSTALLATION DETAILS



A = Listed Sizes (W x H)