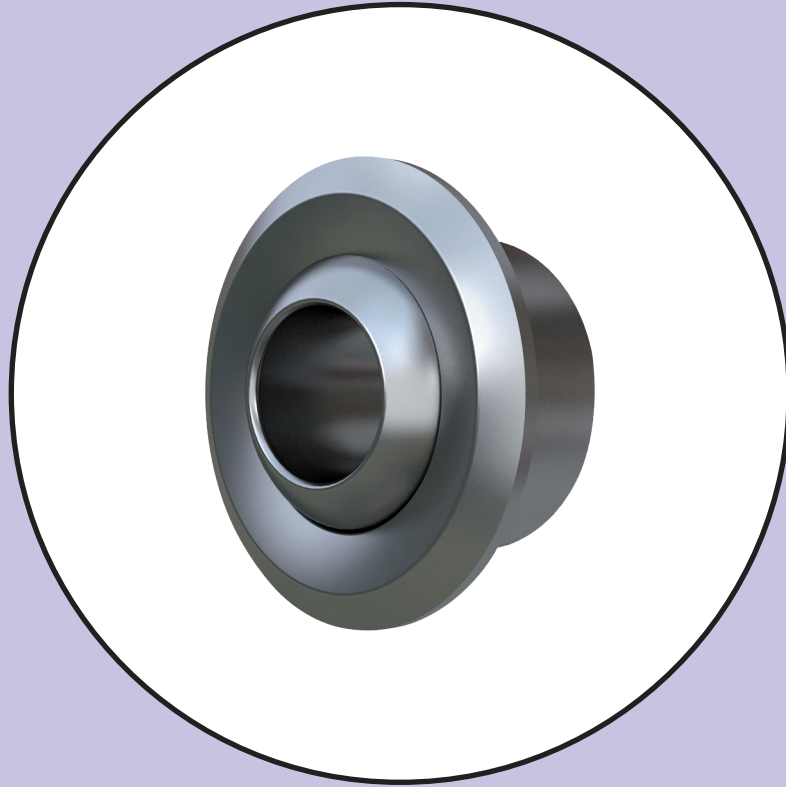


جي جي سي

G G C

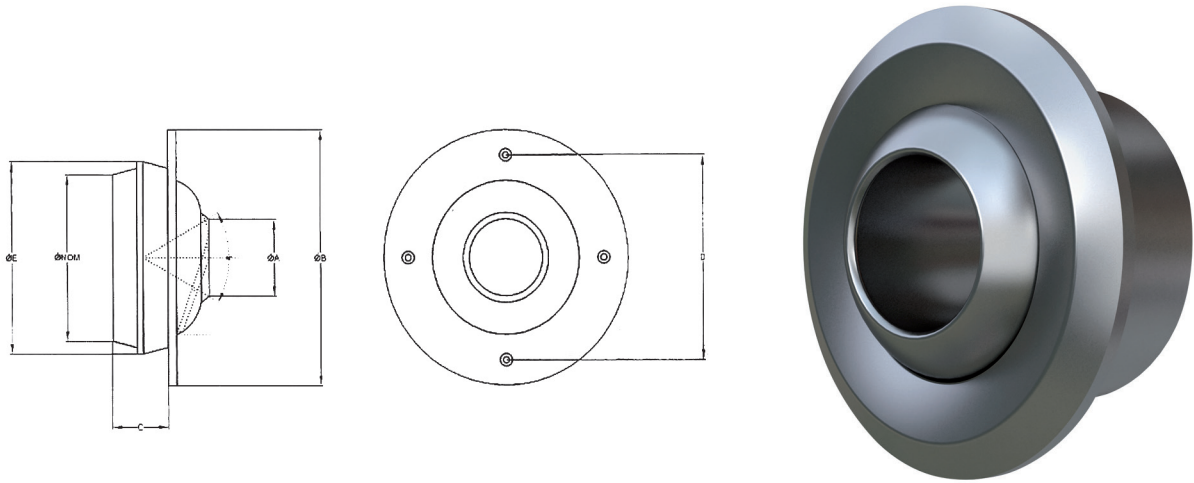
شركة الخليج لفتحات التكييف المركزي

GULF GRILLES CO.



EYEBALL
DIFFUSER

A15
EYEBALL
DIFFUSER



Ø Nom	Ø A	Ø B	C	D	E	Ø F
160	85	250	120	51	225	200
200	110	295	150	66	270	245
250	140	345	190	81	320	295
315	175	415	265	90	390	360

PRODUCT DESCRIPTION

- The turbo nozzle and rings (cores) are aluminum alloy with high quality construction.
- Jet nozzles are designed to supply air for long distance throw application.
- Jet nozzles are used in critical areas such as concert halls, theatres, airports, museums malls, sports halls etc.
- The direction of the air stream can be easily adjusted by hand with in a range of $\pm 30^\circ$.
- Intended for installation in a connection box, sidewall areas.
- Standard finish is white, painted under electrostatic polyester powder coated system, other colors available on request. The polyester powder of highest quality is used to enhance the appearance of the units.

MODEL	SIZE (Inches)	THROW				AIR VELOCITY(M/S)
		10M		20M		
		CFM	NC	CFM	NC	
JN17-8	8" Ø	105	<20	220	<20	0.25
JN17-10	10" Ø	135	<20	275	<20	
JN17-12	12" Ø	180	<20	350	<20	
JN17-8A	8" Ø	220	<20	435	35	0.5
JN17-10A	10" Ø	275	<20	550	32	
JN17-12A	12" Ø	355	<20	700	28	

EYE-BALL DIFFUSER

PERFORMANCE DATA

SIZE (Inches)	THROW						AIR VELOCITY(M/S)
	10M		20M		30M		
	CFM	NC	CFM	NC	CFM	NC	
6"Ø	85	<20	165	<20	250	33	0.25
8"Ø	105	<20	220	<20	305	25	
10"Ø	135	<20	275	<20	380	23	
12"Ø	180	<20	355	<20	540	22	
16"Ø	235	<20	465	<20	700	21	
6"Ø	165	<20	330	40	495	51	0.5
8"Ø	220	<20	435	35	655	47	
10"Ø	275	<20	550	32	825	43	
12"Ø	350	<20	700	28	1055	40	
16"Ø	465	<20	930	28	1395	39	
6"Ø	330	40	-	-	-	-	1
8"Ø	435	35	870	49	-	-	
10"Ø	550	32	1100	51	-	-	
12"Ø	700	28	1400	48	2105	54	
16"Ø	930	28	1860	43	2780	53	



INSTALLATION DETAILS

