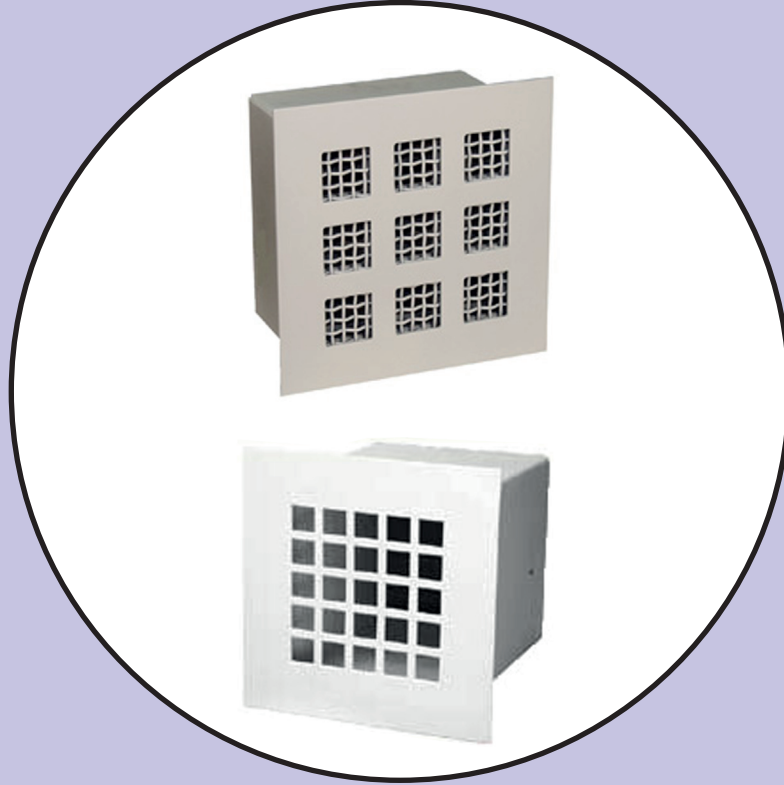


جي جي سي

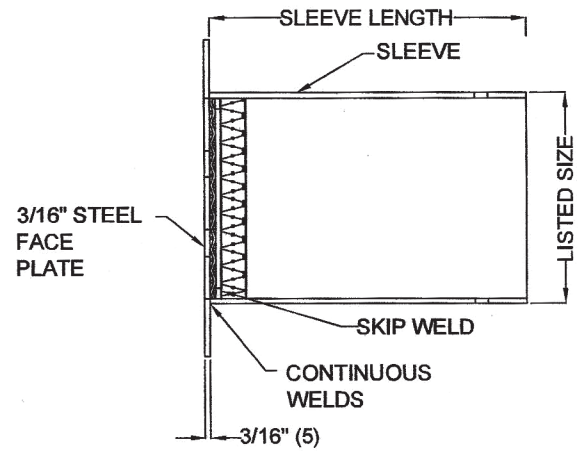
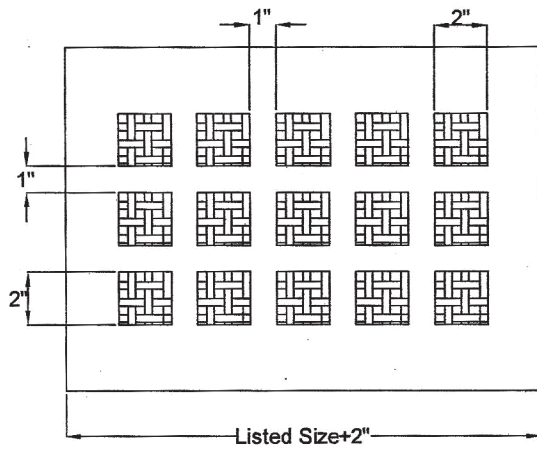
G G C

شركة الخليج لفتحات التكييف المركزي
GULF GRILLES CO.



HEAVY DUTY FRET
SECURITY GRILLE

A17
HEAVY DUTY FRET
SECURITY GRILLE



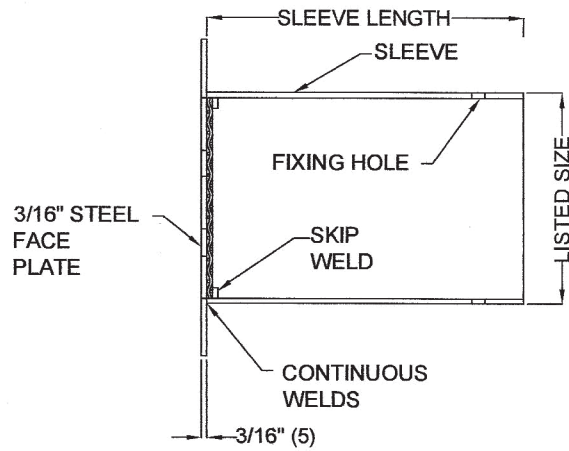
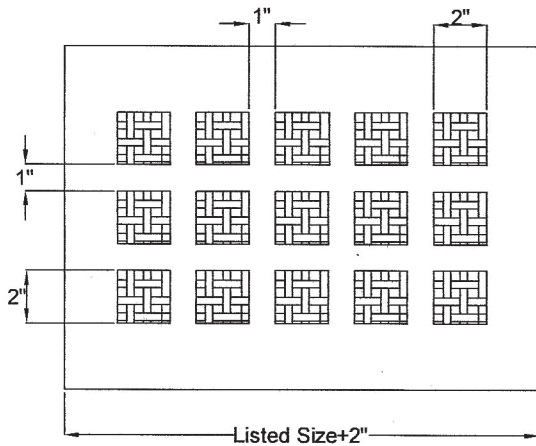
GGC SGJ-II series extra heavy duty security grilles characterized by all welded construction and integral wall sleeves. The unit is most suitable for the places where security is critically important such as prisons, cell blocks.

Product details:

- 5mm hot rolled steel faceplate with 50mm square holes and 25mm fret bars.
- 5mm hot rolled steel backer plate matching face plate pattern.

- 4 mm x 9.5 mm clear opening wire mesh screen sandwiched between faceplate and backer plate
- Security unit fixed to concrete wall using steel security anchor dowels 12.5 mm diameter in the sleeve.
- Standard finish: white painted under electrostatic polyester powder coated system. Other colors available on request. The polyester powder of highest quality are used to enhance the appearance of the unit

Size(inches)	CFM(range)	Size(inches)	CFM(range)	Size(inches)	CFM(range)	Size(inches)	CFM(range)
6X6	10-125	12X12	50-500	18X18	110-1125	24X24	200-2000
8X8	20-225	14X14	65-680	20X20	135-1390	26X26	235-2350
10X10	35-350	16X16	85-890	22X22	165-1690	28X28	270-2750



GGC SGJ-II series extra heavy duty security grilles characterized by all welded construction and integral wall sleeves. The unit is most suitable for the places where security is critically important such as prisons, cell blocks.

Product details:

- 5mm hot rolled steel faceplate with 50mm square holes and 25 mm fret bars.
- 5mm hot rolled steel backer plate matching face plate pattern.

- 4 mm x 9.5 mm clear opening wire mesh screen sandwiched between faceplate and backer plate
- Security unit fixed to concrete wall using steel security anchor dowels 12.5 mm diameter in the sleeve.
- Standard finish: white painted under electrostatic polyester powder coated system. Other colors available on request. The polyester powder of highest quality are used to enhance the appearance of the unit

Size(inches)	CFM(range)	Size(inches)	CFM(range)	Size(inches)	CFM(range)	Size(inches)	CFM(range)
6X6	10-125	12X12	50-500	18X18	110-1125	24X24	200-2000
8X8	20-225	14X14	65-680	20X20	135-1390	26X26	235-2350
10X10	35-350	16X16	85-890	22X22	165-1690	28X28	270-2750

HEAVY DUTY SUPPLY SECURITY GRILLE PERFORMANCE DATA

Size (inches)	Neck Velocity(fpm)	50	100	150	200	250	300	350	400	450	500
	Velocity Pressure(in.wg)	0	0.001	0.001	0.002	0.004	0.006	0.008	0.01	0.013	0.016
	Total Pressure(in.wg)	0.002	0.009	0.02	0.035	0.055	0.079	0.107	0.14	0.177	0.218
6x6	CFM	13	25	38	50	63	75	88	100	113	125
	NC	-	-	-	-	-	-	24	29	33	37
	Throw,ft	1-96	6-9	8-11	9-13	10-15	11-16	12-17	13-18	14-20	15-21
8x8	CFM	22	44	67	89	111	133	156	178	200	222
	NC	-	-	-	-	-	21	26	31	35	39
	Throw,ft	2-8	8-12	11-15	12-17	14-19	15-21	16-23	17-25	18-26	19-27
10x10	CFM	35	69	104	139	174	208	243	278	313	347
	NC	-	-	-	-	16	22	28	33	37	41
	Throw,ft	3-10	10-15	13-19	15-22	17-24	15-21	20-29	22-31	23-33	24-34
12x12	CFM	50	100	150	200	250	300	350	400	450	500
	NC	-	-	-	-	17	24	29	34	38	42
	Throw,ft	3-12	12-18	16-23	18-26	21-29	23-32	24-34	26-37	28-39	29-41
14x14	CFM	68	136	204	272	340	408	476	544	613	681
	NC	-	-	-	-	18	25	30	35	39	43
	Throw,ft	4-14	14-21	19-26	21-30	24-34	26-37	28-40	30-43	32-46	34-48
16x16	CFM	89	178	267	356	444	533	622	711	800	889
	NC	-	-	-	-	19	26	31	36	40	44
	Throw,ft	4-16	16-25	21-30	25-35	27-39	30-42	32-46	35-49	37-52	39-55
18x18	CFM	113	225	338	450	563	675	788	900	1013	1125
	NC	-	-	-	-	20	26	32	37	41	45
	Throw,ft	5-20	18-28	24-34	28-39	31-44	34-48	36-52	39-55	41-59	44-62
20x20	CFM	139	278	417	556	694	833	972	1111	1250	1389
	NC	-	-	-	-	21	27	33	38	42	46
	Throw,ft	5-20	20-31	27-38	31-43	34-48	38-53	41-57	43-61	46-65	48-69
22x22	CFM	168	336	504	672	840	1008	1176	1344	1513	1681
	NC	-	-	-	-	21	28	33	38	42	46
	Throw,ft	6-22	22-34	29-41	34-48	38-53	41-58	45-63	48-67	51-72	53-75
24x24	CFM	200	400	600	800	1000	1200	1400	1600	1800	2000
	NC	-	-	-	-	22	28	34	39	43	47
	Throw,ft	7-24	24-37	32-45	37-52	41-58	45-64	49-69	52-74	51-72	58-82
26x26	CFM	235	469	704	939	1174	1408	1643	1878	2113	2347
	NC	-	-	-	-	22	29	35	39	44	47
	Throw,ft	7-26	26-40	34-49	40-56	45-63	49-69	53-75	56-80	60-85	63-89
28x28	CFM	272	544	817	1089	1361	1633	1906	2178	2450	2722
	NC	-	-	-	-	23	29	35	40	44	48
	Throw,ft	8-28	28-43	37-53	43-61	48-68	53-74	57-80	61-86	64-91	68-96
30x30	CFM	313	625	938	1250	1563	1875	2188	2500	2813	3125
	NC	-	-	-	15	23	36	40	40	45	48
	Throw,ft	9-30	30-46	40-56	46-65	51-73	61-86	65-92	65-92	69-98	73-103

Throw data in feet, based on isothermal air at 100 and 50 fpm terminal velocity