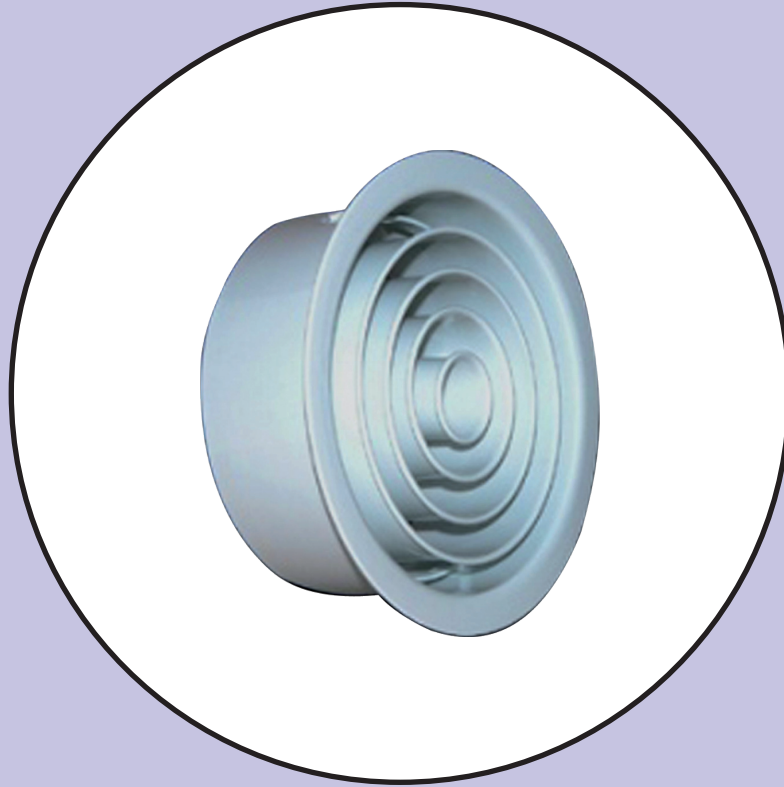


جي جي سي

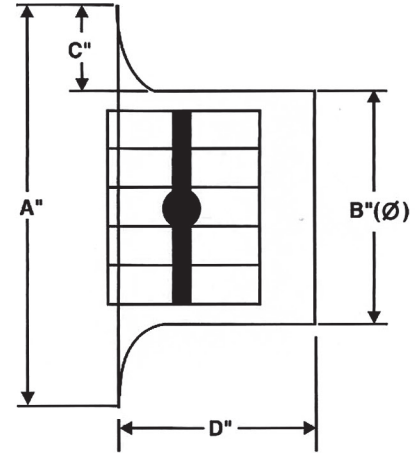
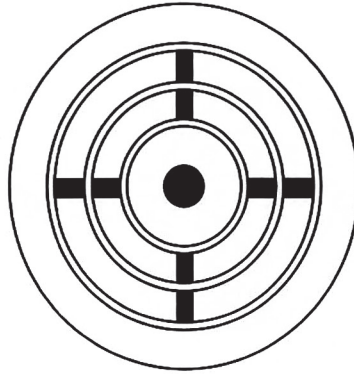
G G C

شركة الخليج لفتحات التكييف المركزي

GULF GRILLES CO.



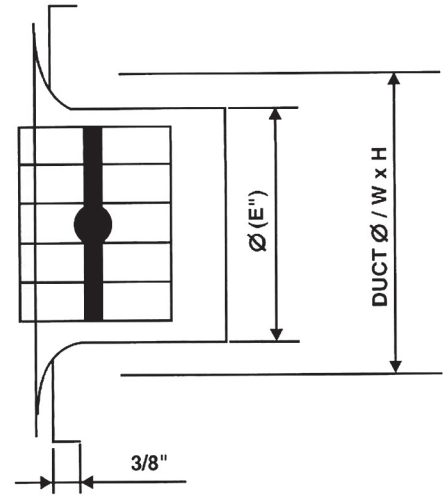
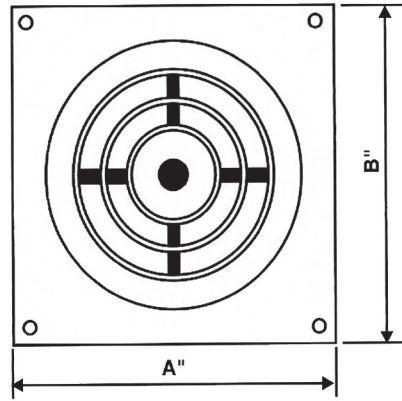
JET DIFFUSERS



PRODUCT DESCRIPTION

- The turbo nozzle and rings (cores) are aluminum alloy with high quality construction.
- The inner concentric rings of jet can be adjusted in ways, Vertical and horizontal.
- Best suitable for places such as Airports, Auditorium, long entrances and walk ways (Horizontal discharge), gymnasiums and swimming pools etc. (Vertical discharge)
- The housing and inner rings are designed for high volume long throw application.
- Suitable for sidewall and ceiling mountings from one to four diffuser elements per assembly.
- Standard finish is white, painted under electrostatic polyester powder coated system, other colors available on request. The polyester powder of highest quality is used to enhance the appearance of the units.
- Available with butterfly damper as option.

MODEL	SIZE (Inches)	A	B	C	D	NO. OF RINGS
DJ16-8	8" Ø	12	8	2	6	1 - TO - 2
DJ16-10	10" Ø	14	10	2	6	1 - TO - 3
DJ16-12	12" Ø	16	12	2	6	1 - TO - 4
DJ16-14	14" Ø	18	14	2	6	1 - TO - 5
DJ16-16	16" Ø	20	16	2	6	1 - TO - 6
DJ16-18	18" Ø	22	18	2	6	1 - TO - 7

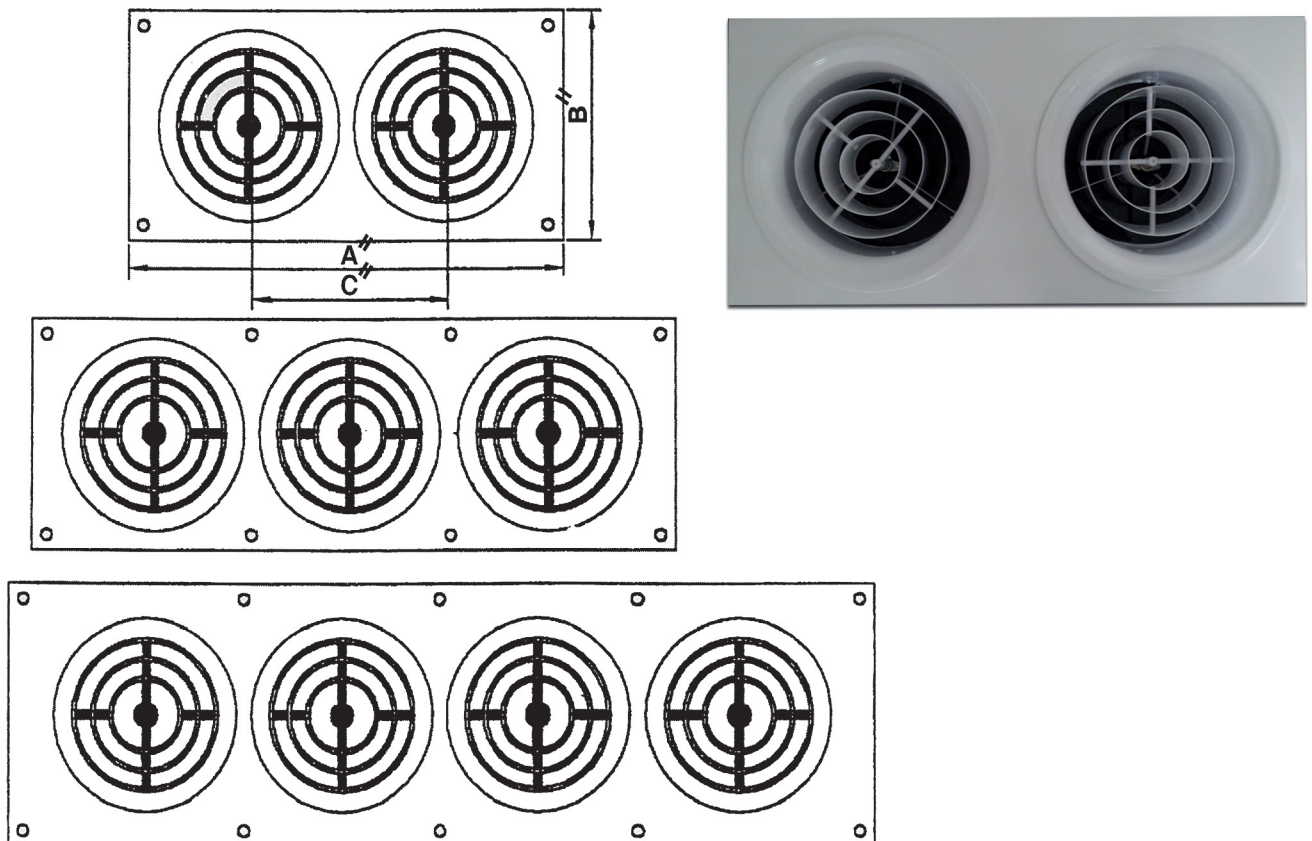


PRODUCT DESCRIPTION

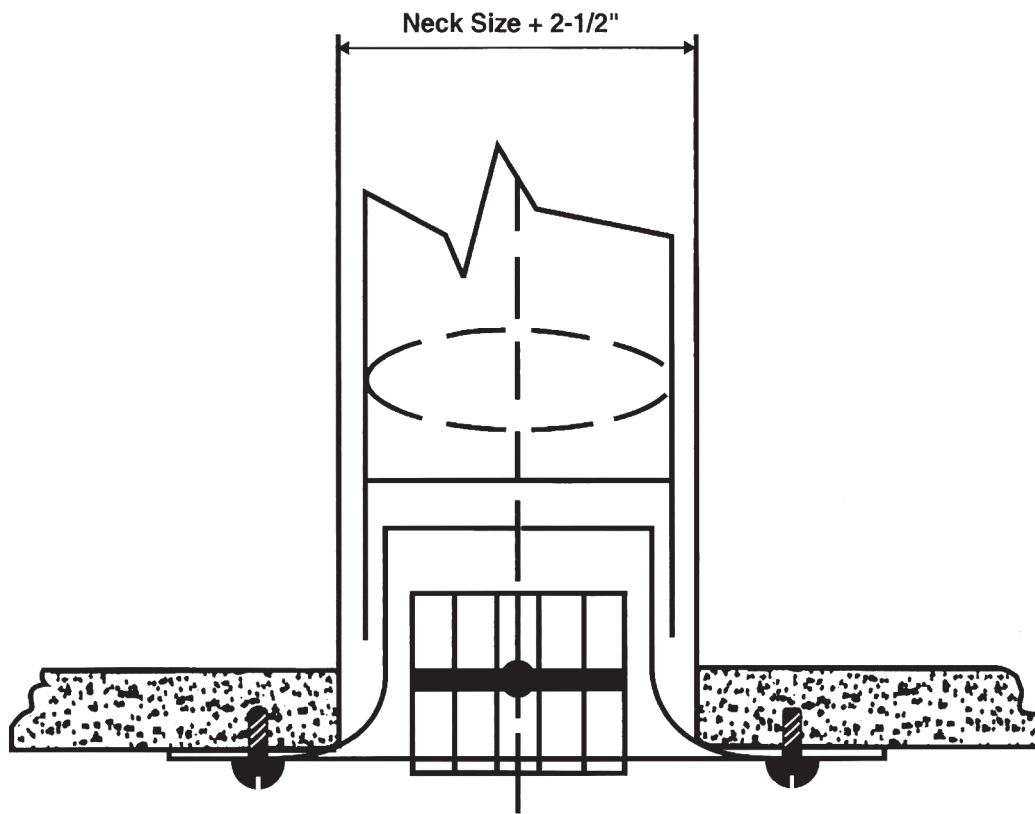
- The popular turbo nozzle is available in a panel mount design as shown in above figure
- One, two, three or four jet diffuser elements per panel can be selected.
- The rings can be controlled in both horizontal and vertical direction through pivot linkage bolt (universal ball joint) mounted in a three-leg bracket connected to the turbo nozzle.
- The rings are assembled together with an aluminum rod of 10 mm diameter.
- The turbo nozzle (element) and rings (cores) are made of aluminum and the panel made up of 20 gauge G.I. Steel.
- Standard finish is white, painted under electrostatic polyester powder coated system. Other colors available on request, the polyester powder of highest quality are used to enhance the appearance of the units.
- Available with butterfly damper as option.

MODEL	DUCT SIZE (Inches)		A	B	Ø E
	SQUARE W x H	ROUND Ø			
DJ16-8S	10 x 10	10	15	15	8
DJ16-10S	12 x 12	12	17	17	10
DJ16-12S	14 x 14	14	19	19	12
DJ16-14S	16 x 16	16	21	21	14
DJ16-16S	18 x 18	18	23	23	16
DJ16-18S	20 x 20	20	25	25	18

MODEL	SIZE & QTY.	A	B	C
DJ16-8-2M	8 x 2	29	15	14
DJ16-8-3M	8 x 3	43	15	14
DJ16-8-4M	8 x 4	57	15	14
DJ16-10-2M	10 x 2	33	17	16
DJ16-10-3M	10 x 3	49	17	16
DJ16-10-4M	10 x 4	65	17	16
DJ16-12-2M	12 x 2	37	19	18
DJ16-12-3M	12 x 3	55	19	18
DJ16-12-4M	12 x 4	73	19	18
DJ16-14-2M	14 x 2	41	21	20
DJ16-14-3M	14 x 3	61	21	20
DJ16-14-4M	14 x 4	81	21	20
DJ16-16-2M	16 x 2	45	23	22
DJ16-16-3M	16 x 3	67	23	22
DJ16-16-4M	16 x 4	89	23	22
DJ16-18-2M	18 x 2	49	25	24
DJ16-18-3M	18 x 3	73	25	24
DJ16-18-4M	18 x 4	97	25	24



JET DIFFUSER INSTALLATION DETAILS



PERFORMANCE DATA JET DIFFUSER

size	Neck velocity(fpm)		787	985	1180	1380	1575	1970	2360	2755	3150
	Pressure(in. wg)	Deflection									
8"	Neck Area	CFM	294	353	412	471	588	706	824	942	1059
	sq.ft. 0.349	SP(in. wg)	0.076	0.120	0.169	0.233	0.305	0.474	0.670	0.927	1.220
		NC	22	27	34	37	42	47	54	58	62
10"		Throw(ft)	29	36	42	45	55	72	78	91	104
	Neck Area	CFM	412	529	647	706	824	1035	1294	1471	1648
	sq.ft. 0.545	SP(in. wg)	0.076	0.120	0.169	0.233	0.305	0.474	0.670	0.927	1.220
12"		NC	22	27	34	37	42	47	54	58	62
		Throw(ft)	33	43	48	57	62	79	95	114	127
	Neck Area	CFM	706	765	900	1059	1177	1506	1824	2118	2354
14"	sq.ft. 0.785	SP(in. wg)	0.076	0.120	0.169	0.233	0.305	0.474	0.670	0.927	1.220
		NC	22	27	34	37	42	47	54	58	62
		Throw(ft)	39	49	57	69	77	95	121	134	157
16"	Neck Area	CFM	824	1000	1188	1412	1618	2060	2413	2825	3237
	sq.ft. 1.069	SP(in. wg)	0.076	0.120	0.169	0.233	0.305	0.474	0.670	0.927	1.220
		NC	22	27	34	37	42	47	54	58	62
		Throw(ft)	44	56	69	77	88	108	134	157	170
16"	Neck Area	CFM	1059	1294	1559	1824	2118	2648	3237	3649	4178
	sq.ft. 1.396	SP(in. wg)	0.076	0.120	0.169	0.233	0.305	0.474	0.670	0.927	1.220
		NC	22	27	34	37	42	47	54	58	62
		Throw(ft)	52	62	77	90	105	126	154	170	197