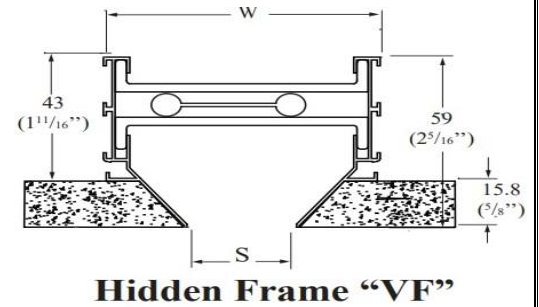


FBV-D

LINEAR FLOW BAR



PRODUCT DESCRIPTION

- Flow Bar systems satisfy both the architect's and the engineer's requirements for air distribution system that will maintain optimum room air conditions.
- Frame: -Constructed of extruded aluminum alloy 6063-T5
- Frame Partition: Constructed of extruded aluminum alloy 6063-T5
- Sliding bar: Constructed of extruded aluminum alloy 6063-T5
- Standard slot sizes are 1", 1 1/2", 2" other slot opening is available on request.
- Diffusers are available in straight and curve shape.
- Standard Polyester powder coated finish is provided on requested RAL color.

Listed Sizes		
S. No.	S	W
1	1"	70 mm
2	1.5"	95 mm
3	2"	120 mm

FBV-D

LINEAR FLOW BAR



SUPPLY PERFORMANCE DATA

SLOT OPENING (IN)	CFM/FT	10	20	30	40	50	60	70	80	90	100	125
1	THROW (ft)	2-4	8-15	16-22	21-27	25-29	27-32	29-35	31-37	33-39	35-42	
	PRESSURE DROP (in.w.g)	0.007	0.029	0.066	0.117	0.183	0.263	0.358	0.468	0.592	0.731	
	NC	<20	<20	<20	<20	21	27	32	36	40	43	
1.5	THROW (ft)		3-6	7-13	12-21	19-26	23-31	27-35	30-37	33-39	35-42	39-46
	PRESSURE DROP (in.w.g)		0.01	0.022	0.039	0.061	0.088	0.12	0.157	0.199	0.245	0.383
	NC		<20	<20	<20	<20	<20	<20	23	27	30	37
2	THROW (ft)		3-6	6-12	11-21	17-25	22-30	26-35	29-37	33-39	35-42	39-46
	PRESSURE DROP (in.w.g)		0.007	0.016	0.029	0.046	0.066	0.089	0.117	0.148	0.183	0.285
	NC		<20	<20	<20	<20	<20	<20	<20	21	24	31

RETURN PERFORMANCE DATA

SLOT OPENING (IN)	CFM/FT	20	30	40	50	60	70	80	90	100	125
1	NEGATIVE SP (in.w.g)	0.016	0.034	0.055	0.086	0.123	0.161	0.205	0.354		
	NC	<20	<20	<20	<20	24	27	30	35		
1.5	NEGATIVE SP (in.w.g)		0.014	0.022	0.034	0.048	0.067	0.086	0.11	0.133	
	NC		<20	<20	<20	<20	21	23	25	27	
2	NEGATIVE SP (in.w.g)			0.016	0.025	0.034	0.045	0.055	0.071	0.086	0.123
	NC			<20	<20	<20	<20	<20	20	22	26

*NC data based on 10 dB room attenuation.

*Throw data is based on isothermal air at 100 and 50 fpm terminal velocity.